

Technical data sheet

Product features



Worktop with drawer with cabinet

Model	SAP Code	00008293
PP 740	A group of articles - web	Neutral Modules

– Material: AISI 304



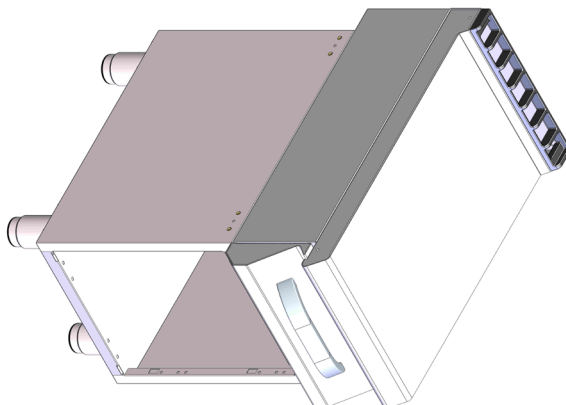
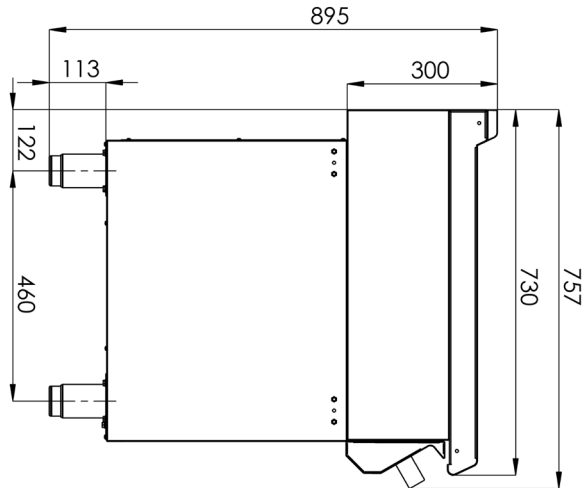
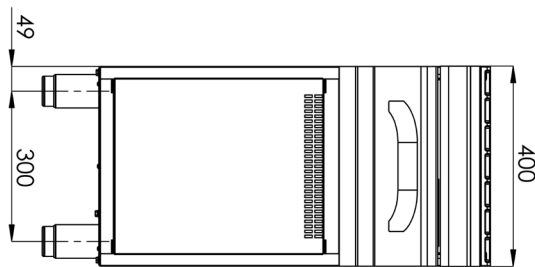
Technical data sheet

Technical drawing



Worktop with drawer with cabinet

Model	SAP Code	00008293
PP 740	A group of articles - web	Neutral Modules



Technical data sheet

Technical parameters



Worktop with drawer with cabinet

Model	SAP Code	00008293
PP 740	A group of articles - web	Neutral Modules

1. SAP Code:

00008293

2. Net Width [mm]:

400

3. Net Depth [mm]:

730

4. Net Height [mm]:

900

5. Net Weight [kg]:

35.30

6. Gross Width [mm]:

440

7. Gross depth [mm]:

800

8. Gross Height [mm]:

1080

9. Gross Weight [kg]:

41.50

10. Material:

AISI 304

11. Adjustable feet:

Yes

12. Exterior color of the device:

Stainless steel

13. Material of feet:

stainless steel

14. Surface finish:

polished stainless steel

15. Construction type of device:

With substructure

16. Worktop material:

AISI 304